



PARTS CATALOG

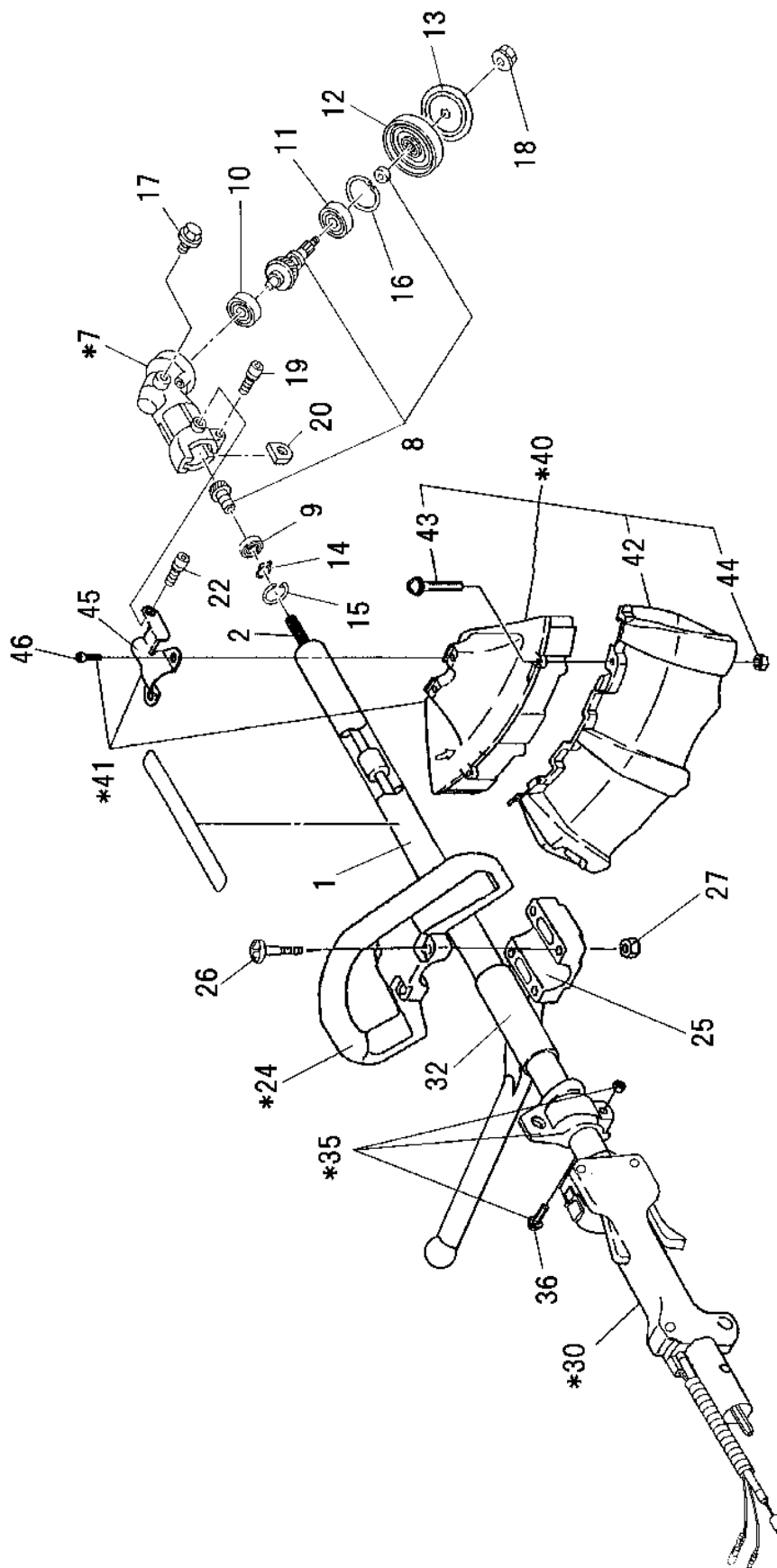
Model ELAN 20P

(NB020A CE SPEC.)

WORMS

MACHINE BODY,
CONTROL LEVER ASSY,
ENGINE BODY,
CARUBURETOR & AIR CLEANER,
RECOIL STARTER·FUEL TANK& COVER,
FLYWHEEL&CLUTCH,
STANDARD ACCESSORIES,

MACHINE BODY



WORMS ELAN20P

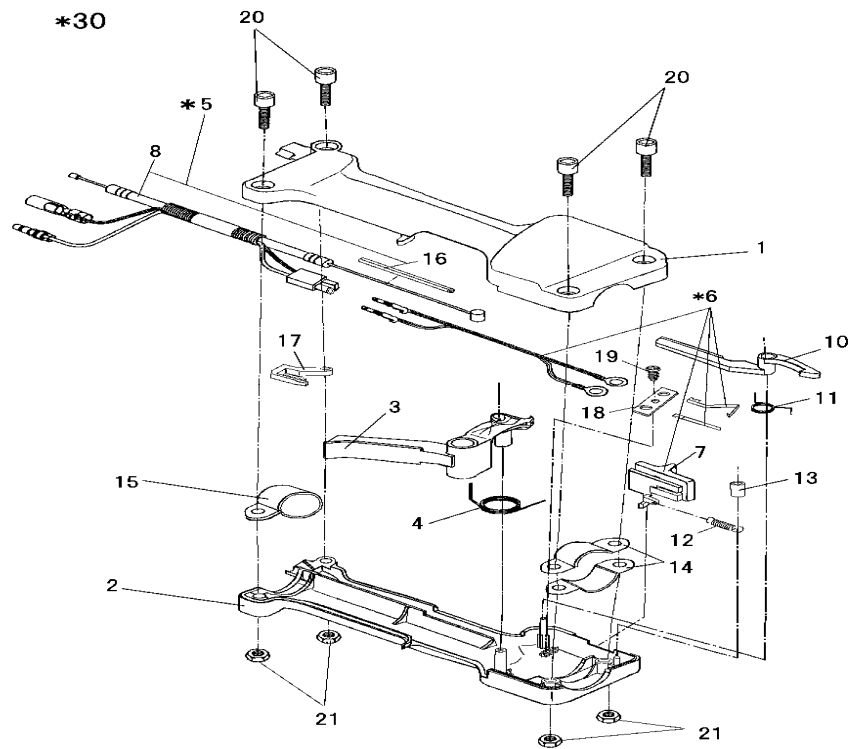
ELAN 20P (NB025A) PARTS LIST

CE SPEC.

MACHINE BODY

REF No.	PARTS No.	PARTS NAME	Q'TY	REMARKS
1	6191017000	PIPE,SHAFT COMPL	1	
2	6191501400	SHAFT	1	
*7	6193001005	CASE,GEAR ASSY	1	Incl.8~20
8	6193003001	SHAFT,CUTTER SET	1	
9	6212500300	BALL BEARING	1	#609ZZ
10	0600069990	BALL BEARING	1	#626ZZ
11	0600109910	BALL BEARING	1	#6000DDU
12	6198500102	WASHER,RECEIVE	1	
13	6218003000	WASHER,CLAMP COMPL	1	
14	0031508000	SNAPRING,OUTER	1	φ 8
15	0031424000	SNAPRING,INNER	1	φ 24
16	0031426000	SNAPRING,INNER	1	φ 26
17	6253011012	BOLT,OIL	1	M6*9 W
18	6258505001	NUT	1	
19	0119059890	SOCKET HEAD BOLT	1	M5*25 SW
20	6251501400	GASKET	1	
22	0119059490	SOCKET HEAD BOLT	1	M5*14 W,SW
*24	6214016000	HANDLE SET	1	Incl.25~27
25	6214016020	HOLDER,HANDLE	1	
26	0043305301	SCREW	4	M5*25
27	0022705000	NUT	4	M5
*30	6195017000	CONTROL LEVER ASSY	1	
32	6191501500	SPACER	1	
*35	6194002000	HANGER ASSY	1	Incl.36
36	0043605250	SCREW ASSEMBLY	1	M5*25 S,SW
*40	6198007001	PROTECTOR ASSY	1	Incl.41~44
*41	6198004003	PROTECTOR ASSY	1	Incl.45~46
42	6198008001	PROTECTOR COMPL	1	
43	0043605400	SCREW ASSEMBLY	2	M5*40 W,SW
44	0021805000	NUT	2	M5
45	6198500300	CLAMP,PROTECTOR	1	
46	0011706300	BOLT ASSEMBLY,DROSSRECESS	2	M6*30 W,SW

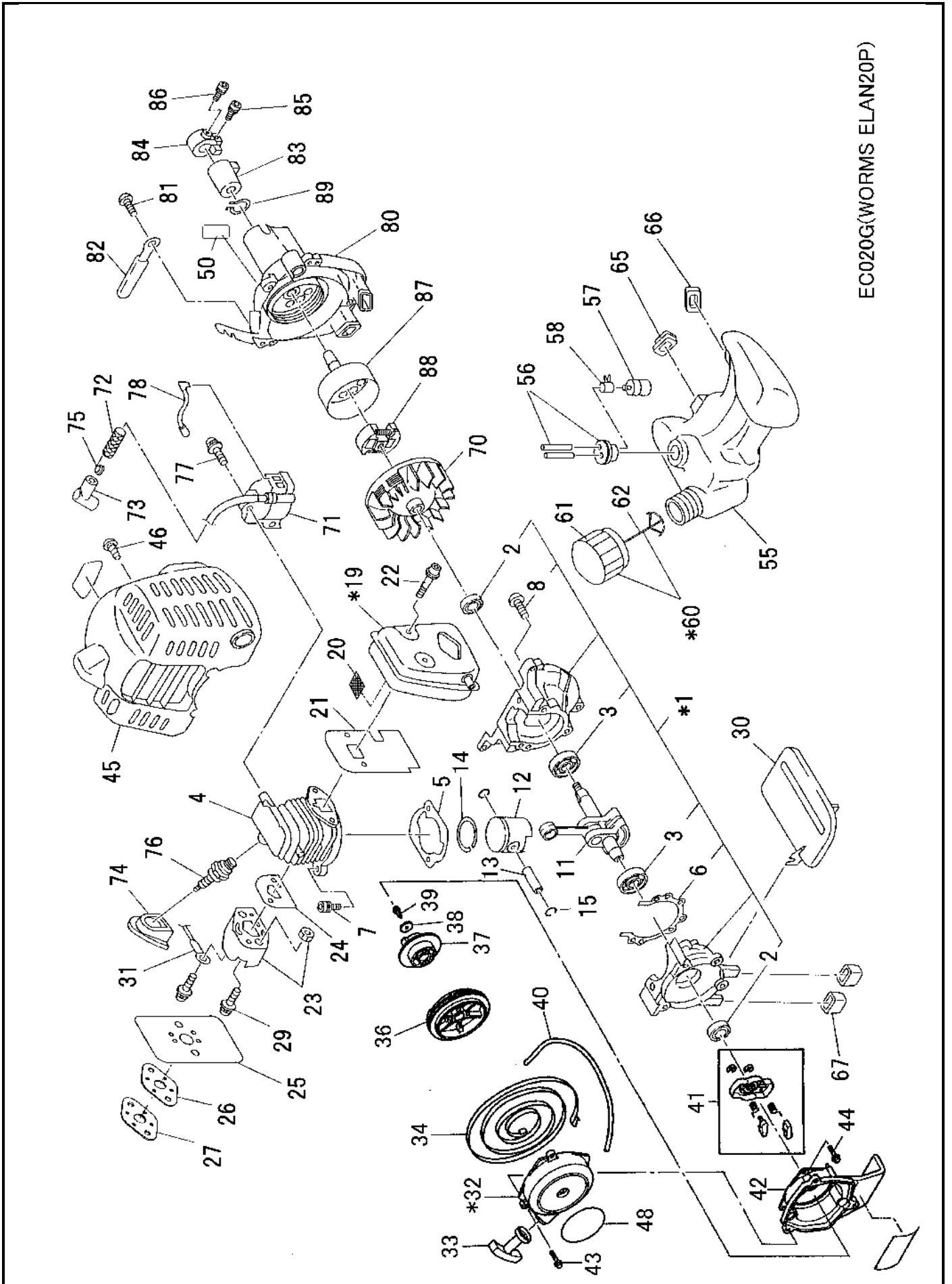
CONTROL LEVER ASSY



WORMS ELAN20P

REF No.	PARTS No.	PARTS NAME	Q'TY	REMARKS
*30	6195017000	CONTROL LEVER ASSY	1	Incl.1~21
1	6195017010	GRIP-R	1	
2	6195017020	GRIP-L	1	
3	6195017060	LEVER-THROTTLE	1	
4	6195017120	SPRING	1	
5	6195018050	TUBE	1	
*6	6195017210	SWITCH SET	1	Incl.7
7	6195017320	SWITCH	1	
8	6195017040	CONTROL CABLE	1	
10	6195017050	LEVER-SAFETY	1	
11	6195017160	SPRING	1	
12	6195017130	SPRING	1	
13	6195017150	COLLER	1	
14	6195017140	CLAMP-A	2	
15	6195017030	CLAMP-B	1	
16	6195017220	SLEEVE	1	
17	6195017250	LID	1	
18	6195017230	PLATE	1	
19	6195017240	SCREW	1	3*8
20	0119059980	SOCKET HEAD BOLT	4	M5*30
21	6195017310	NUT	4	M5 BLACK

ENGINE BODY



EC020G(WORMS ELAN20P)

ELAN 20P (NB025A) PARTS LIST

CE SPEC.

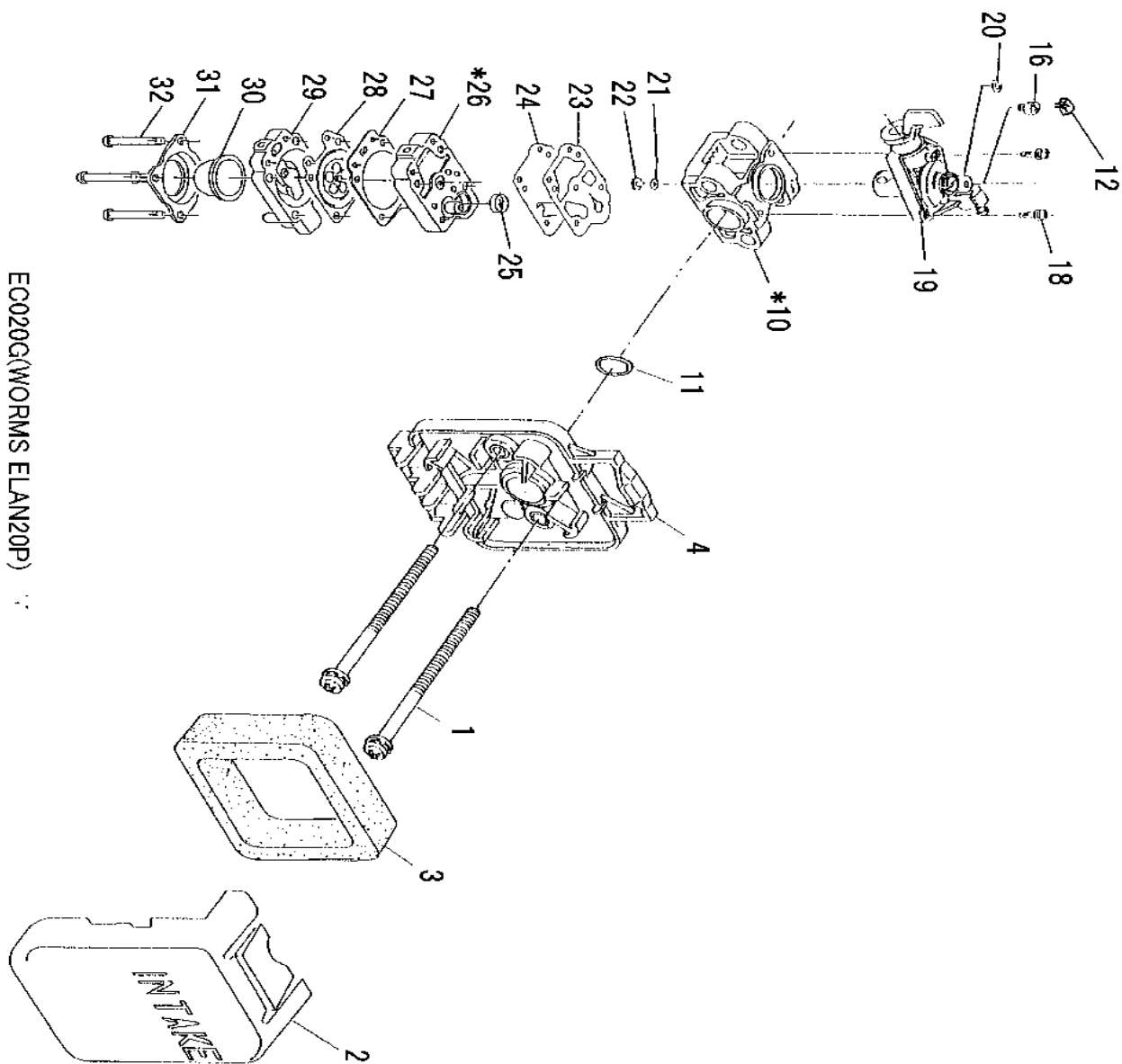
ENGINE BODY

REF No.	PARTS No.	PARTS NAME	Q'TY	REMARKS
*1	5191004001	CRANKCASE ASSY	1	Incl. 2,3,6,8
2	0440109980	OIL SEAL	2	
3	0600109980	BALL BEARING	2	#6000
4	5191500702	CYLINDER	1	
5	5191500301	GASKET,CYLINDER	1	
6	5191500400	GASKET,CRANKCASE	1	
7	0119059730	SOCKET HEAD BOLT	2	M5*20 W SW
8	0140059520	SCREW	3	M5*25
11	5192001001-3	CRANKSHAFT COMPL	1	
12	5192500800-1	PISTON	1	
13	5192500500	PIN,PISTON	1	
14	5192500600	RING,PISTON	1	
15	0565089970	CLIP	2	
*19	5193001002	MUFFLER,EXHAUST	1	Incl.20
20	5193001050	SPARK ARRSTER	1	
21	5193500002	GASKET,MUFFLER	1	
22	0119059520	SOCKET HEAD BOLT	2	M5*40 W
23	5233014000-2	INSULATOR COMPL	1	
24	5193500500	GASKET,INSULATOR	1	
25	5193500401	GASKET,CARBURETOR	1	
26	5103503500	SPACER,CARBURETOR	1	
27	5103502800	GASKET,AIR CLEANER	1	
29	0140059500	SCREW ASSEMBLY	2	M5*25 W SW
30	5193500101	PLATE,MUFFLER	1	
31	6165500201	WIRE	1	
*32	5195014000-1	STARTER,REWIND	1	Incl.33~40
33	5195014150	HANDLE	1	
34	5195014040	SPIRAL SPRING	1	
36	5195014160	SPRING CASE ASSY	1	
37	5195014120	CAM PLATE	1	
38	5195014130	WASHER	1	
39	5195014140	TAPPING SCREW	3	4*14
40	5195014030	STARTER ROPE	1	
41	5195015000	PULLEY	1	
42	5195501600	SPACER,STAARTER	1	
43	0150049860	TAPPING SCREW	3	4*14
44	0119049950	SOCKET HEAD BOLT	3	M4*25 W SW
45	5195502800	COVER,CYLINDER	1	
46	6601500500	TAPPING SCREW	1	5*14
48	6199512700	LABEL,MODEL	1	
50	0736309940	LABEL,SOUND LEBEL	1	114dB
55	5196500003	TANK,FUEL	1	

ELAN 20P (NB025A) PARTS LIST CE SPEC.

REF No.	PARTS No.	PARTS NAME	Q'TY	REMARKS
56	0851139953	TUBE	1	
57	5236503900	FILTER	1	
58	0561059990	HOSE CLAMP	1	
*60	5256059000	CAP,FUEL TANK ASSY	1	Incl.61,62
61	5256058000	CAP,FUEL TANK ASSY	1	
62	5256067000	STRAP ASSY	1	
65	5036500200-1	PLATE	1	
66	5036500300-1	PLATE	1	
67	5216500200	DAMPER	2	
70	5197001012-1	FLYWHEEL	1	
71	5197001020	COIL,IGNITION	1	
72	0851089930	TUBE	1	L110
73	0655009870-1	CAP,PLUG	1	
74	5197500100	COVER,PLUG CAP	1	
75	0654009931	SPRING,PLUG CAP	1	
76	0650149721	PLUG,SPARK	1	BMR7A
77	0140049920	SCREW	2	M4*20 W SW
78	5257018001-2	WIRE COMPL	1	L200
80	6191006001-1	CASE,CLUTCH COMPL	1	
81	0150059980	TAPPING SCREW	3	M5*20
82	0566059980	CLAMP	1	
83	6191500203	DAMPER,PIPE	1	
84	6191501300	BRACKET,PIPE COMPL	1	
85	0119059880	SOCKET HEAD BOLT	1	M5*25
86	0119059850	SOCKET HEAD BOLT	1	M5*14,SW
87	6192001001	DRUM,CLUTCH COMPL	1	
88	6192002003	CLUTCH	1	
89	0031510000	SNAPRING,OUTER	1	φ 10

CARBURETOR & AIR CLEANER



EC020G(WORMS ELAN20P)

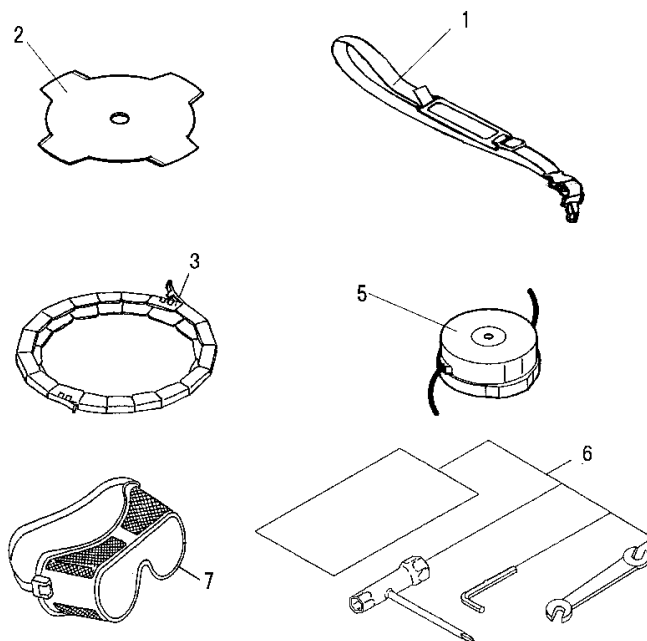
ELAN 20P (NB025A) PARTS LIST

CE SPEC.

CARBURETOR & AIR CLEANER

REF No.	PARTS No.	PARTS NAME	Q'TY	REMARKS
1	0043305650-	SCREW ASSEMBLY	2	M5*65 W,SW
2	5253020010-	COVER AIR CLEANER	1	
3	5203004010-	FILTER AIR	1	
4	5253003020-	HOUSING ASSY AIR CLEANER	1	Including sleeve
*10	5196002001-	CARBURETOR	1	WYL-91 Incl.16~32
11	5236061000-	RING-O	1	
16	5236018040-	SWIVEL	1	
18	5206008030-	SCREW	2	
19	5196002010-	VALVE ASSEMBLY-THROTTLE	1	
20	5316005120-	RING-SPRING RETAINING	1	
21	5246001010-	RING-O	1	
22	5196002020-	JET	1	#34.5
23	5246001030-	GASKET-PUMP	1	
24	5246001040-	DIAPHRAGM-PUMP	1	
25	5016004010-	SCREEN-INLET	1	
*26	5236046130-	BODY ASSEMBLY PUMP	1	Incl.25
27	5236046040-	GASKET-MET'G DIAPHRAGM	1	
28	5316005250-	DIAPHRAGM ASSEMBLY-MET'G	1	
29	5236046060-	BODY ASSY-AIR PURGE	1	
30	5246001150-	PUMP-PRIMER	1	
31	5236046050-	COVER-PRIMER PUMP	1	
32	5236046010-	SCREW	4	

ACCESSORIES



WORMS ELAN20P

REF No.	PARTS No.	PARTS NAME	Q'TY	REMARKS
1	6197004000	BAND ASSY	1	
2	6258507600	CUTTER	1	230*4
3	6418500701	COVER,CUTTER	1	
5	6218024000-1	CUTTER ASSY	1	
6	6199032000	TOOL	1	
7	6029015000	PROTECTOR	1	